

# TS-7-MSMK

## Multisurface Mount Kit for TSW-760, TSW-760-NC, and TSS-7, Flat



- Enables flush mounting a TSW-760, TSW-760-NC, or TSS-7 touch screen to virtually any flat, smooth surface
- Ideal for mounting at the entrance to a meeting space for room scheduling applications
- Compatible with TSW-760-LB light bar for clear indication of the room availability status
- Secure, screwless installation using peel-and-stick adhesive rear housing
- Perfect for mounting to a glass wall or partition
- Includes an assortment of raceway to conceal wiring
- Includes a plastic cover that attaches to rear housing to conceal unused cutouts
- Available in black or white finish

The TS-7-MSMK multisurface mount kit provides a versatile flush mount solution for a TSW-760, TSW-760-NC, or TSS-7 touch screen. Using the multisurface mount kit, the touch screen can be mounted directly to glass, granite, marble, wood paneling, plaster, smooth masonry, or virtually any other flat surface. The TS-7-MSMK is ideal for mounting at the entrance to a meeting space for room scheduling applications, and it is compatible with the TSW-760-LB light bar to provide a clear indication of the room availability status.

The TS-7-MSMK attaches securely to a flat, smooth surface without screws using the included peel-and-stick adhesive rear housing. For a finished appearance when mounted to a transparent glass wall, an adhesive molded plastic cap is provided, which simply affixes to the opposite side of the glass behind the unit. Templates are provided for the MSMK and the plastic cap to help ensure that both are level and properly aligned with the surface.

The TS-7-MSMK comes complete with a self-adhering plastic raceway for use on smooth surfaces, which conceals cables running to the touch screen from the floor, ceiling, or an adjacent wall, pillar, or mullion. The raceway is paintable and is composed of three 3 ft (0.91 m) sections, as well as an assortment of elbows and couplings.

The TS-7-MSMK rear housing provides four cutout holes (on the top, bottom, and sides of the housing) for running concealed cables to the touch screen using the included adhesive-backed raceway. A plastic cover with an opening for the raceway is attached to the rear housing to conceal any unused cutouts.

## Specifications

### Construction

**Housing:** Plastic, black or white finish

**Surface Mounting:** Peel-and-stick adhesive mounting to glass or other flat, smooth surface

**Raceway:** Peel-and-stick adhesive mount plastic raceway, white (paintable), 0.77 in. W x 0.46 in. D (19.6 mm W x 11.7 mm D) profile; includes (3) 3 ft (0.91 m) straight sections, (2) straight couplers, (2) 90° flat elbows, (1) inside elbow, and (1) outside elbow

### Dimensions

Without touch screen:

**Height:** 3.89 in. (99 mm)

**Width:** 6.72 in. (171 mm)

**Depth:** 1.99 in. (51 mm)

With touch screen installed:

**Height:** 4.79 in. (122 mm)

**Width:** 7.61 in. (193 mm)

**Depth:** 2.45 in. (62 mm)

With touch screen and light bar installed:

**Height:** 4.79 in. (122 mm)

**Width:** 8.12 in. (206 mm)

**Depth:** 2.58 in. (65 mm)

### Weight

3.6 oz (102 g) without touch screen, light bar, or raceway

# TS-7-MSMK

## Multisurface Mount Kit for TSW-760, TSW-760-NC, and TSS-7, Flat

### Models and Accessories

#### Available Models

---

##### **TS-7-MSMK-B**

Multisurface Mount Kit for TSW-760, TSW-760-NC, and TSS-7, Flat, Black

##### **TS-7-MSMK-W**

Multisurface Mount Kit for TSW-760, TSW-760-NC, and TSS-7, Flat, White

This product may be purchased from select authorized Crestron dealers and distributors. To find a dealer or distributor, please contact the Crestron sales representative for your area. A list of sales representatives is available online at <https://www.crestron.com/How-To-Buy/Find-a-Representative> or by calling 855-263-8754.

The specific patents that cover Crestron products are listed online at [www.crestron.com/legal/patents](http://www.crestron.com/legal/patents).

Certain Crestron products contain open source software. For specific information, please visit [www.crestron.com/opensource](http://www.crestron.com/opensource).

Crestron and the Crestron logo are either trademarks or registered trademarks of Crestron Electronics, Inc. in the United States and/or other countries. Other trademarks, registered trademarks, and trade names may be used in this document to refer to either the entities claiming the marks and names or their products. Crestron disclaims any proprietary interest in the marks and names of others. Crestron is not responsible for errors in typography or photography.

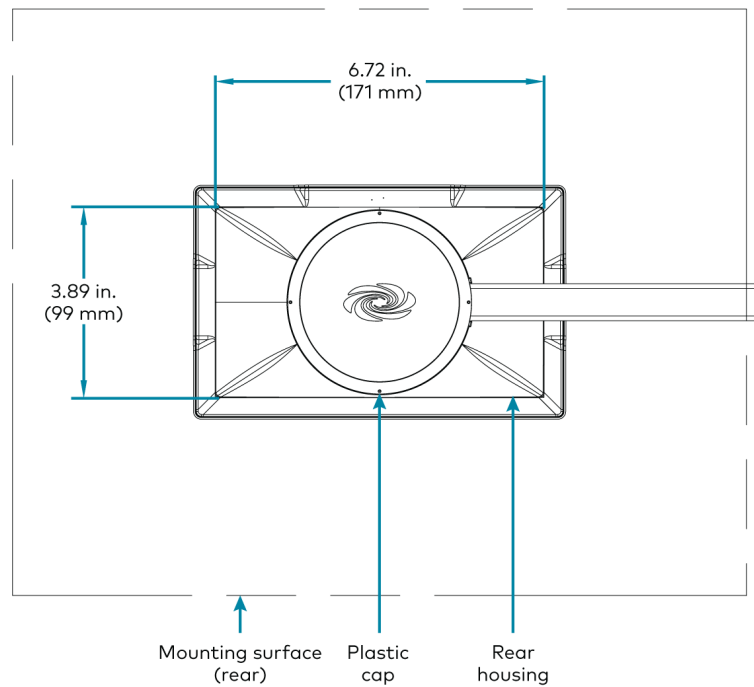
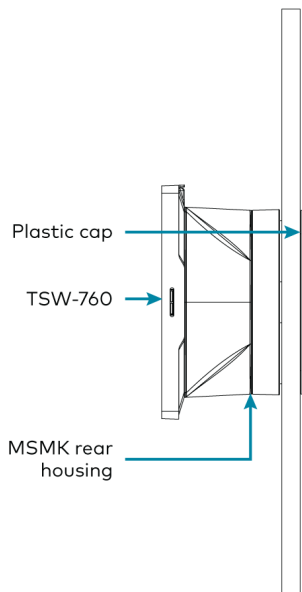
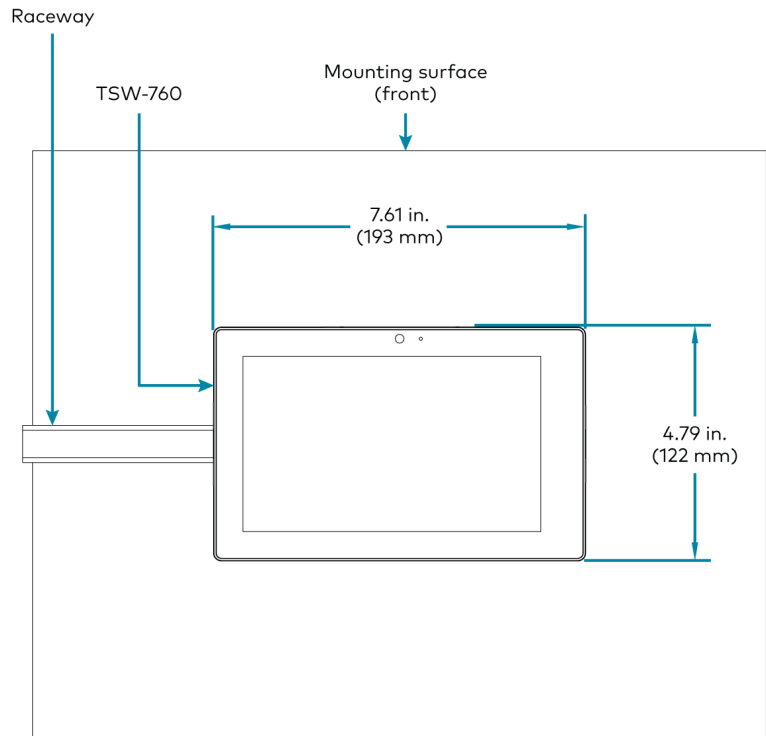
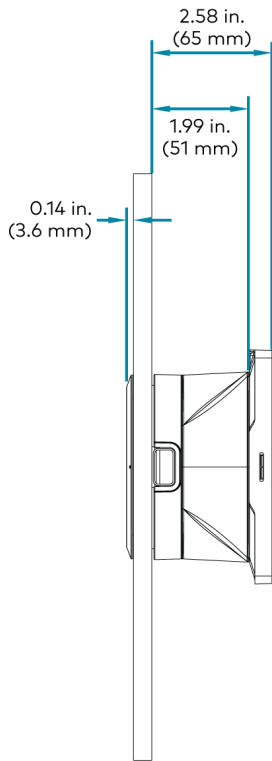
Specifications are subject to change without notice.

©2019 Crestron Electronics, Inc.

Rev 05/23/19

# TS-7-MSMK

## Multisurface Mount Kit for TSW-760, TSW-760-NC, and TSS-7, Flat



# TS-7-MSMK

## Multisurface Mount Kit for TSW-760, TSW-760-NC, and TSS-7, Flat

