

# UC-B30-T

## Crestron Flex Small Room Conference System with Video Soundbar for Microsoft Teams® Rooms



- *Front-of-room video conferencing solution for a Microsoft Teams® Rooms environment*
- *Native Microsoft Teams® Rooms touch screen UI provides a consistent, simple user experience with one-touch meeting joins*
- *Complete kit contains a 10.1 in. tabletop touch screen, smart soundbar and camera, UC bracket assembly, and PoE injector—just add a display and mount*
- *Easy to specify and install — no custom design, programming, or software installation required*
- *Optional integration with Crestron® control systems*
- *Direct connection option between UC Engine and tabletop touch screen for simple installation and configuration*
- *Network management and provisioning, system alerts, and tabletop touch screen pairing to the system's UC Engine through the XiO Cloud® service*
- *Premium-level support with Crestron Flex Care (optional)*
- *Enterprise-grade security - connects and communicates securely over any enterprise or SMB network*
- *Supports single or dual video displays (not included)*

The UC-B30-T Crestron Flex tabletop conferencing system provides a small room video conference solution for use with Microsoft Teams® Rooms software. It supports single or dual video displays<sup>1</sup> (not included) and features a tabletop touch screen, smart soundbar and camera, UC bracket assembly, PoE injector, and cables.

### Native Microsoft Teams® Rooms Experience

The UC-B30-T system brings the full Microsoft Teams Rooms UC experience to any meeting space in an enterprise or SMB facility.

### Intuitive User Interface

With a large 10.1 in. (257 mm) capacitive touch screen display, the Crestron® tabletop touch screen ([TS-1070](#)) provides superior conferencing control in meeting rooms, huddle spaces, and executive offices. The touch screen also offers optional control of room lighting, shades, thermostats, and other equipment.<sup>2</sup>

### Simplified Deployment

The UC Bracket Assembly provides preassembled components on one ready-to-mount bracket to simplify installation. The assembly can be mounted on a wall, or it can be attached to the rear of the display device. Crestron's direct connection method further simplifies installation with a single connection from the tabletop touch screen to the UC Bracket Assembly.<sup>3</sup>

### High-Definition Video Conferencing with Impressive Audio

High-quality speakers, microphone, and digital signal processing deliver exceptional full-duplex speakerphone performance from the Crestron UC video conference soundbar and camera (UC-SB1-CAM-FLEX). The built-in conferencing camera captures the room in HD 1080p video resolution and with an ultra-wide 150° diagonal field of view.

### Crestron Control System Integration

The UC-B30-T integrates with a Crestron control system to enable touch screen control of room lighting, motorized window shades, climate control, AV, and other amenities.<sup>2</sup>

### Enterprise-Grade Security

Crestron Flex is an enterprise-grade solution, engineered in partnership with Microsoft to integrate seamlessly into any Microsoft Teams Rooms software deployment. Crestron Flex is ideally equipped for mass deployment throughout any sized corporate, university, medical, military, or government facility.

### Easy Provisioning and Device Management

The XiO Cloud service is an IoT cloud based provisioning service (available separately) that enables installers and IT managers to easily deploy and manage thousands of devices. The XiO Cloud service provides system alerts, network management and provisioning, and the pairing of a control device to the system's UC Engine. System updates are controlled by Windows® software update.

Visit [www.crestron.com/xiocloud](http://www.crestron.com/xiocloud) for additional information.

# UC-B30-T

## Crestron Flex Small Room Conference System with Video Soundbar for Microsoft Teams® Rooms

### Premium-Level Support

Crestron Flex Care is an optional subscription service that automatically renews annually, providing 24/7 live remote technical support, an extended five year warranty on Crestron® branded hardware, expedited advance replacements, and a discounted rate for on-site support.

Visit [www.crestron.com/flexcare](http://www.crestron.com/flexcare) for detailed terms and conditions and additional information.

### Dual Control Option

A TS- or TSW- 70 series 10.1 in. touch screen may be added to the solution as an additional control point for the Microsoft Teams Rooms environment.<sup>2,3</sup>

### Deployment Resources

View the [Crestron Flex Pre-Deployment Checklist](#) to help plan your Crestron Flex installation.

## Specifications

### Included Components

<a href="#">TS-1070-B-S</a>	10.1 in. (257 mm) tabletop touch screen, black
<a href="#">UC-BRKT-200-S-T-ASSY</a>	UC Bracket Assembly comprised of: <ul style="list-style-type: none"><li>• UC Engine: Mini PC with Microsoft Teams video</li><li>• HD-CONV-USB-200: HDMI® to USB 3.0 converter for content ingest</li><li>• Mounting hardware</li></ul>
<a href="#">UC-SB1-CAM-FLEX</a>	UC Video Conference Smart Soundbar and Camera
<a href="#">CBL-4K-DP-HD-6</a>	DisplayPort™ to HDMI Cable, 6 ft (1.8 m); secondary display
<a href="#">CBL-CAT5E-7</a>	(2) Ethernet LAN cable for UC Engine, RJ-45-to-RJ-45, black, 7 ft (2.1 m)
<a href="#">CBL-HD-6</a>	HDMI Interface Cable, 6 ft (1.8 m); primary display
<a href="#">CBL-HD-20</a>	HDMI Interface Cable, 20 ft (6.1 m); content sharing
<a href="#">DM-CBL-ULTRA-PC-20</a>	Ethernet LAN cable, CAT6a, RJ-45-to-RJ-45, blue, 20 ft (6.1 m)
<a href="#">PWE-4803RU</a>	PoE Injector

### Tabletop Touch Screen

<b>Touch Screen</b>	10.1 in. (257 mm) diagonal capacitive multi-touch TFT active matrix color LCD, 1920 x 1200 pixels
<b>UI</b>	Microsoft Teams UI plus optional Crestron Smart Graphics® room control UI <sup>2</sup>
<b>Ethernet</b>	100 Mbps, auto switching, auto negotiating, auto discovery, full/half duplex, TCP/IP, UDP/IP, CIP, DHCP, SSL, TLS, SSH, SFTP (SSH File Transfer Protocol), IEEE 802.1X, SNMP, IPv4 or IPv6, Active Directory® service authentication, HTTPS web browser setup, XiO Cloud® client, IEEE 802.3at compliant
<b>Power over Ethernet</b>	IEEE 802.3at Type 2 compliant PoE+ PD (Powered Device); Normally requests 15 W from an 802.3at Type 2 PSE with LLDP advanced power management; With room scheduling and USB enabled, requests 18 W from an 802.3at Type 2 PSE with LLDP; Requests 30 W (PoE+ Class 4) from an 802.3at Type 2 PSE without LLDP; Requests 15.4 W (PoE Class 0) from an 802.3af (or 802.3at Type 1) PSE
<b>PoE Injector</b>	A PoE injector is included to power the touch screen if network PoE is not available
<b>Construction</b>	Plastic, smooth black finish, edge-to-edge glass with black surround
<b>Dimensions</b>	Height: 5.29 in. (134 mm) Width: 9.63 in. (245 mm) Depth: 4.67 in. (119 mm)
<b>Weight</b>	2.44 lb (1105 g)

### Smart Soundbar and Camera

<b>Speakers</b>	Stereo 2-way, 20 W per channel; 3 in. (76 mm) woofers; 3 x 4-3/8 in. (76 x 112 mm) passive radiators; 1 in. (25 mm) dome tweeters; 80 Hz to 20 kHz (±3 dB) frequency response; 91 dB SPL @ 1 m output level (both channels driven at full power)
<b>Microphone</b>	Linear quad-element far-field adaptive beamforming microphone array; 15 ft (4.6 m) pickup range, 180° horizontal and 180° vertical pickup angle; 20 Hz to 8 kHz frequency response

# UC-B30-T

## Crestron Flex Small Room Conference System with Video Soundbar for Microsoft Teams® Rooms

**NOTE:** Microphone pickup range may vary in rooms with highly reflective infrastructure (e.g., glass walls, metal furniture, open ceilings, etc.) or above average ambient noise.

<b>Audio DSP</b>	Acoustic echo cancellation, dereverberation, automatic gain control, dynamic noise suppression, adaptive beamforming, speaker volume control, speaker EQ and limiting (fixed); Full-duplex IEEE 1329 Type 1 compliant
<b>Camera Optics</b>	12 Megapixel 1/2.3 CMOS sensor, ultra wide angle six element aspherical glass lens, f/2.8 aperture
<b>Camera Field of View</b>	150° diagonal, 120° horizontal, 90° vertical
<b>Autozoom</b>	Genius Framing automatic lossless digital zoom intelligently frames around people in the room
<b>Camera Noise Reduction</b>	3D noise reduction, bias compensating spatio-temporal filtering, wide area chroma filtering, flicker elimination
<b>Camera Scaling</b>	Real-time scaling, dewarping, and perspective correction
<b>Camera Resolution</b>	HD 1080p @ 30 fps
<b>Analog Audio Input</b>	2-Channel stereo via 3.5 mm TRS mini-phone jack, fixed level (bypasses DSP), 1 Vrms maximum per channel for full rated output, for in-room amplification of an external audio source
<b>Analog Audio Output</b>	2-Channel stereo via 3.5 mm TRS mini-phone jack, fixed level, 1 Vrms maximum, feeds amplified audio content to an assistive listening system
<b>Status Bar</b>	Multi-segment RGBY LED zero-center mutually-diverging linear bargraph
<b>Main Power</b>	24VDC via external 100-240VAC, 50/60 Hz power pack, model <a href="#">PW-2420RU</a> (included)
<b>Enclosure</b>	Lightly textured gunmetal black finish, plastic housing, perforated stainless steel grilles, die-cast aluminum rear cover, integral steel hinged mounting bracket
<b>Mounting</b>	Freestanding or surface wall mount at ear/face level (adhesive feet included, mounting bracket attached)
<b>Dimensions</b>	Height: 4.57 in. (116 mm), 4.64 in. (118 mm) with feet Width: 43.60 in. (1107 mm) Depth: 3.90 in. (99 mm)

**Weight** 13.56 lb (6.2 kg)

### UC Bracket Assembly

<b>UC Engine</b>	Mini PC, Intel Core® processor with Windows® 10 IoT Edition OS and 100/1000 Mbps Ethernet connectivity
<b>UC Client</b>	Microsoft Teams Rooms
<b>Management Client</b>	XiO Cloud Service
<b>Content Ingest</b>	HDMI input via HDMI to USB 3.0 converter (model HD-CONV-USB-200)
<b>Display Output</b>	Single or dual display support <sup>1</sup>
<b>Display Output Resolution</b>	1080p
<b>Power</b>	100-240VAC, 50/60 Hz adapter (included)
<b>Construction</b>	Metal mounting bracket, black, preassembled with UC Engine and HD-CONV-USB-200
<b>Mounting</b>	Surface wall mount behind the display device, or attach to the rear of the display device via the bolts attaching the display to a VESA® compliant display mount; Bracket includes mounting holes on both side edges, spaced 100, 200, and 300 mm vertically, to allow for attachment to either side of the display mounting plate
<b>Dimensions</b>	Height: 15.00 in. (381 mm) Width: 14.50 in. (368 mm) Maximum Depth: 1.87 in. (48 mm)
<b>Maximum Weight</b>	7.7 lb (3.5 kg)

### Model

#### UC-B30-T

Crestron Flex Small Room Conference System with Video Soundbar for Microsoft Teams® Rooms

### Available Accessories

For a list of available accessories, visit the [UC-B30-T](#) product page.

# UC-B30-T

## Crestron Flex Small Room Conference System with Video Soundbar for Microsoft Teams® Rooms

### Notes:

1. Display must support "Wake on Sync" and "Sleep on No Sync" functionality. Consult the display manufacturer's specifications or internal settings of the specific display.
2. Room control capability (lighting, shades, thermostats, etc.) requires additional equipment and commissioning to be provided by a Crestron authorized integrator and/or programmer. Additional costs may apply.
3. Only one control device may be connected via direct connection method.

This product may be purchased from select authorized Crestron dealers and distributors. To find a dealer or distributor, please contact the Crestron sales representative for your area. A list of sales representatives is available online at [www.crestron.com/How-To-Buy/Find-a-Representative](http://www.crestron.com/How-To-Buy/Find-a-Representative) or contact us for additional information by visiting <https://www.crestron.com/contact/our-locations> for your local contact.

This product is covered under the Crestron standard limited warranty. Refer to [www.crestron.com/warranty](http://www.crestron.com/warranty) for full details.

The specific patents that cover Crestron products are listed online at [patents.crestron.com](http://patents.crestron.com).

Certain Crestron products contain open source software. For specific information, please visit [www.crestron.com/opensource](http://www.crestron.com/opensource).

Crestron, the Crestron logo, Smart Graphics, and XiO Cloud are either trademarks or registered trademarks of Crestron Electronics, Inc. in the United States and/or other countries. HDMI is either a trademark or registered trademark of HDMI Licensing LLC in the United States and/or other countries. Intel Core is either a trademark or registered trademark of Intel Corporation in the United States and/or other countries. Active Directory, Microsoft Teams, and Windows are either trademarks or registered trademarks of Microsoft Corporation in the United States and/or other countries. DisplayPort and VESA are either trademarks or registered trademarks of Video Electronics Standards Association in the United States and/or other countries. Other trademarks, registered trademarks, and trade names may be used in this document to refer to either the entities claiming the marks and names or their products. Crestron disclaims any proprietary interest in the marks and names of others. Crestron is not responsible for errors in typography or photography.

Specifications are subject to change without notice.

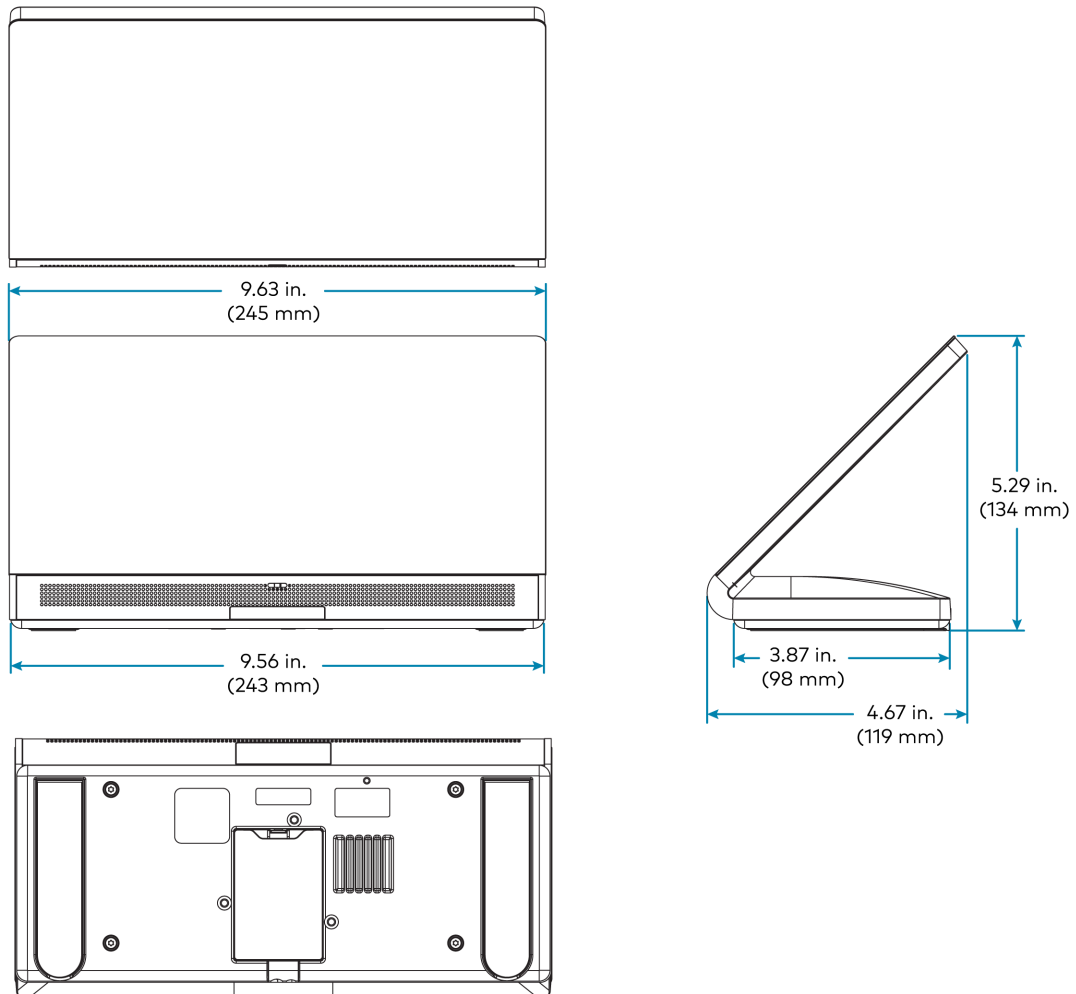
©2022 Crestron Electronics, Inc.

Rev 04/25/22

# UC-B30-T

## Crestron Flex Small Room Conference System with Video Soundbar for Microsoft Teams® Rooms

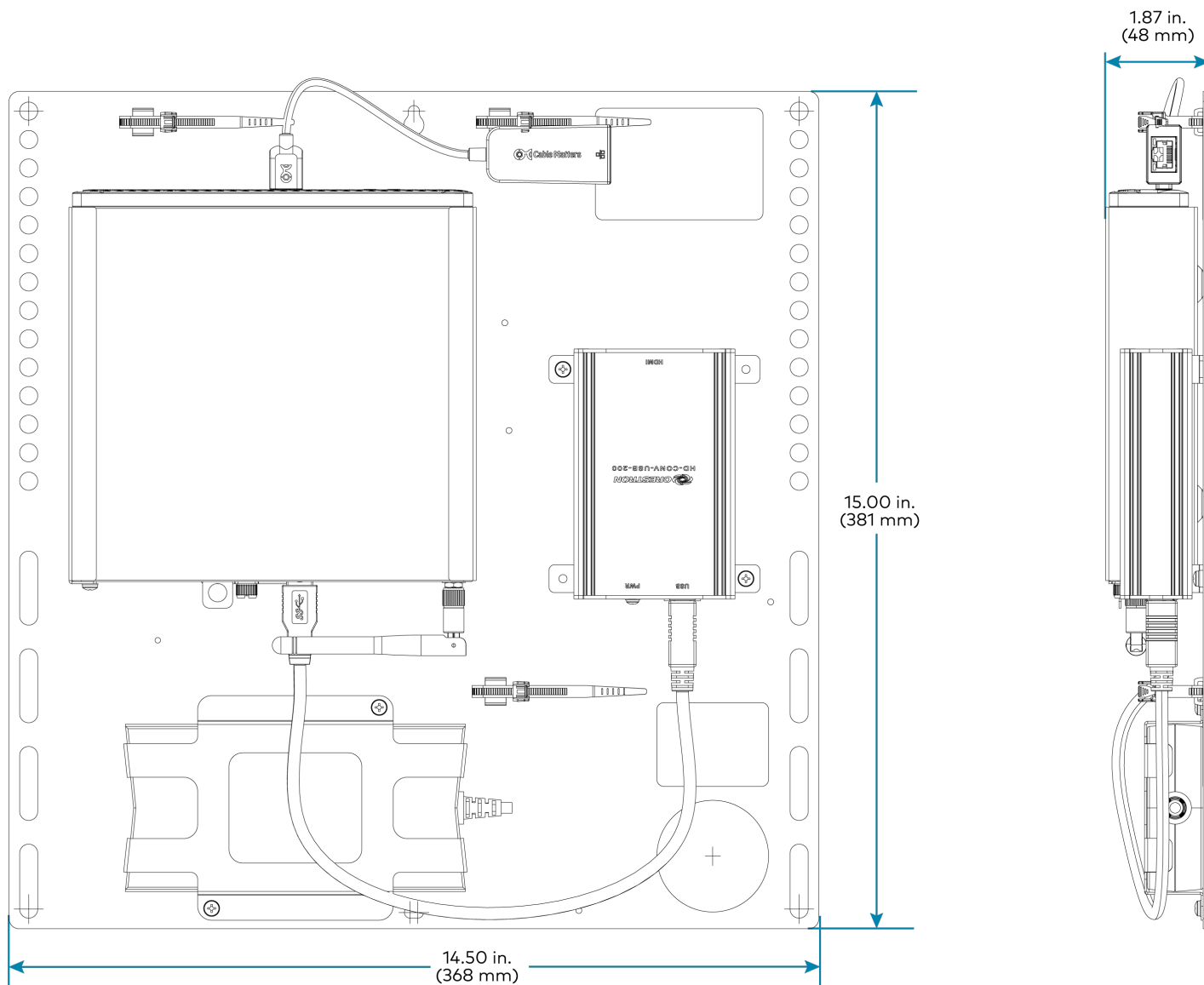
Touch Screen (TS-1070-B-S-T-V)



# UC-B30-T

## Crestron Flex Small Room Conference System with Video Soundbar for Microsoft Teams® Rooms

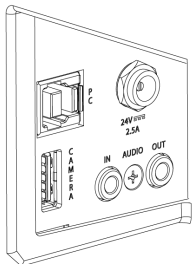
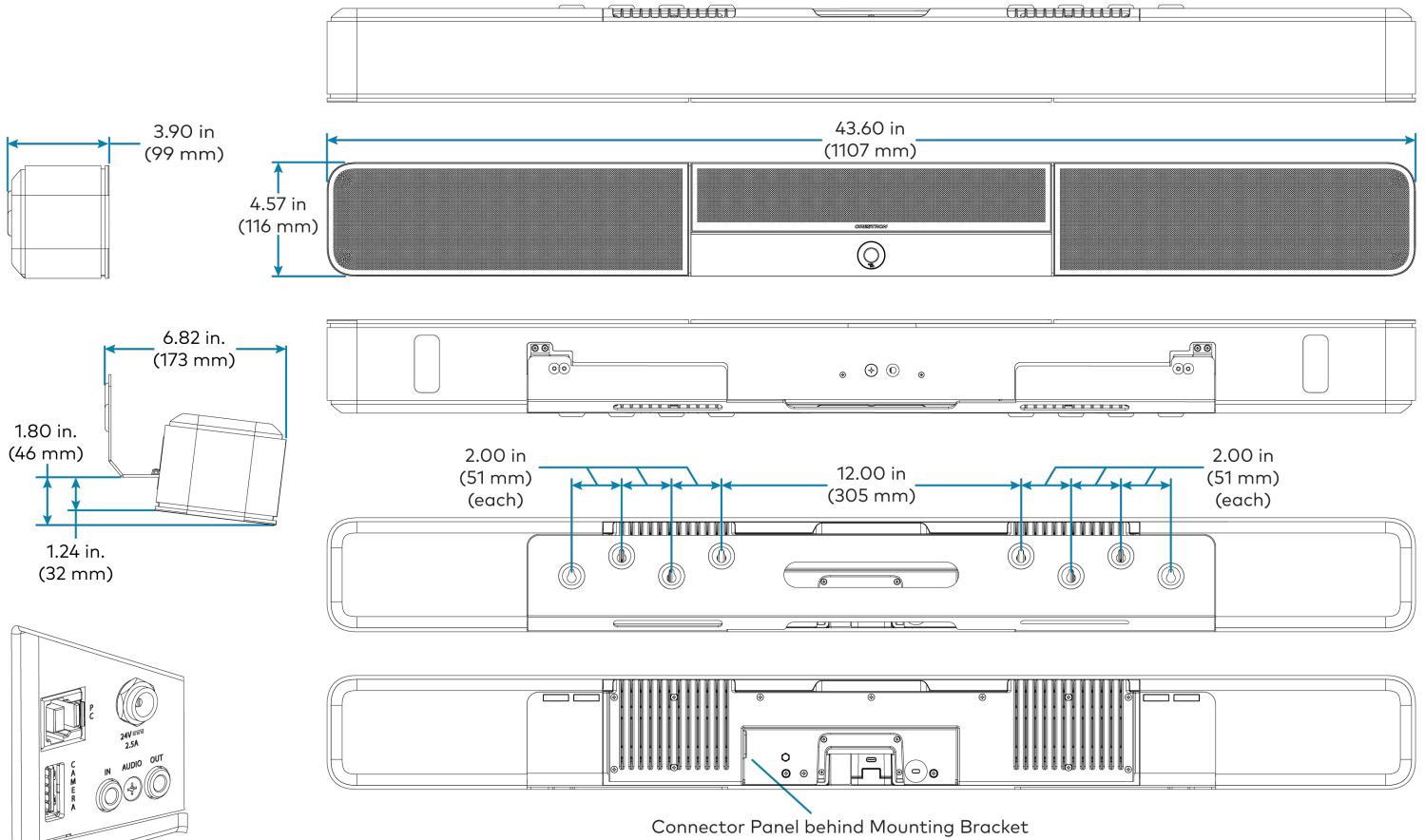
UC Bracket Assembly (UC-BRKT-200-S-T-ASSY)



# UC-B30-T

## Crestron Flex Small Room Conference System with Video Soundbar for Microsoft Teams® Rooms

### Smart Soundbar and Conferencing Camera (UC-SB1-CAM-FLEX)



Connector Panel